

MENUMASTER[®] Commercial

Project #: _____

Item #: _____



Model MRC22S2 shown

Heavy Volume

Menumaster Commercial Microwave Model MRC22S2

Power Output

- 2200 watts of power.
- 11 power levels for consistent, delicious results for frozen, refrigerated and fresh foods - from the freezer to table in minutes.
- Unique method of energy distribution provides superior even heating throughout the cavity.

Easy to Use

- Up to 100 programmable menu items simplifies cooking and ensures consistent results.
- Four stage cooking option with one-touch programming. Reduces prep time, labor and food waste while providing consistent results.
- Controls are user friendly and require minimal training.
- Multiple quantity pad calculates the proper cook times for up to 8 items.
- Automatic voltage sensor for easy installation.
- See-through door and lighted interior for monitoring without opening the door.
- Ample 1.0 cubic ft. (28 liter) capacity accommodates two standard 4" (102mm) deep half-sized pans.
- Interior ceramic shelf is sealed and recessed to reduce plate-to-shelf edge impact and keep spills contained.
- Stackable to save valuable counter space.

Easy to Maintain

- Braille touch pads are ADA compliant.
- Stainless steel exterior and interior for easy cleaning and a professional look.
- Constructed to withstand the foodservice environment.
- Removable, cleanable air filter and clean filter reminder protect oven components.
- Backed by the ACP, Inc. 24/7 ComServ Support Center, 866-426-2621.
- ETL Listed.

Heavy Volume

This category of microwave is ideal for...

Applications:

- Casual dining
- Country clubs
- Healthcare/Nurses stations

Through put potential:

- 8 oz. portions of frozen mixed vegetable, 30+ portions per hour
- 8 oz. portions of fresh asparagus, 50+ portions per hour
- 4 oz. portion of scrambled eggs, 50+ portions per hour

Defrost:

- Defrosts most frozen food products

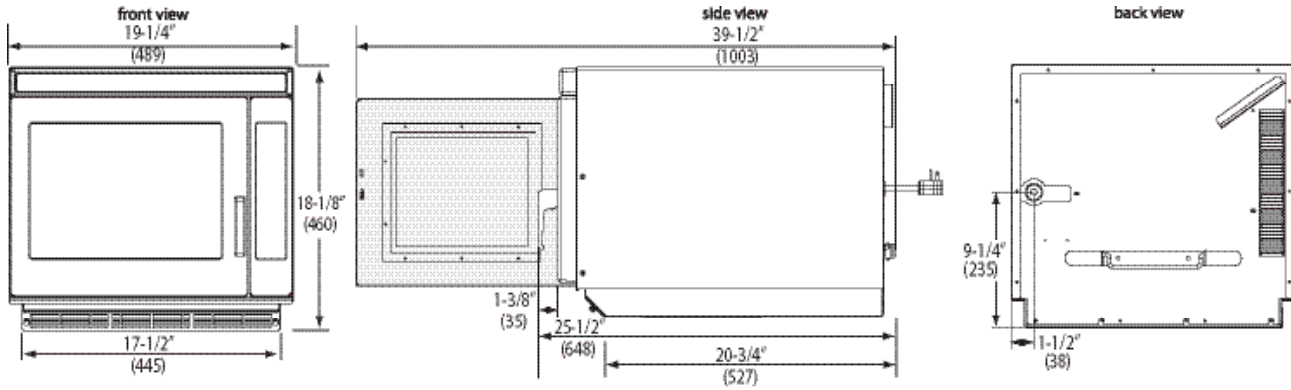
All ACP, Inc. commercial ovens are backed by our Culinary Center. Call us with any question regarding food preparation, menu development and cooking times. 866-426-2621.



AIA File #:

Specification #:

MenuMaster Commercial Microwave Model MRC22S2 | Heavy Volume



Installation Clearances - Top: 2" (51), Sides: 1" (25), Back: None

Specification #:

Specifications	
Model	MRC22S2 UPC Code 728028020670
Configuration	Countertop
Control System	Touch
Programmable Control Pads	10
Braille	Yes
Settings Programmable	100
Max. Cooking Time	60:00
Power Levels	11
Defrost	Yes, power level 2
Time Entry Option	Yes, 3
Microwave Distribution	Double rotating antenna, top and bottom
Magnetrons	2
Display	LED
Stackable	Yes
Stage Cooking	Yes, 4
Interior Light	Yes
Door Opening	Lift and pull handle
Signal	Adjustable, end of cycle
Air Filter	Yes, removable, with clean filter reminder
Call Service Alert	Yes
Automatic Voltage Sensor	Yes
Multiple Portion Setting	Yes, up to 8 items
Exterior Dimensions	H 18 1/8" (460) W 19 1/4" (489) D** 25 1/2" (648)
Cavity Dimensions	H 8 1/2" (216) W 13" (330) D 15" (381)
Door Depth	40" (1016mm), 90°+ door open
Usable Cavity Space	1.0 cubic ft. (28 liter)
Exterior Finish	Stainless steel
Interior Finish	Stainless steel with sealed-in ceramic shelf
Power Consumption	3200 W, 15.4 A
Power Output*	2200 W* Microwave
Power Source	208 - 240V, 60 Hz, 20 A single phase
Plug Configuration / Cord	NEMA 6-20 5 ft. (1.5m)
Frequency	2450 MHz
Product Weight	94 lbs. (43 kg.)
Ship weight (approx.)	101 lbs. (46 Kg.)
Shipping Carton Size	H 21 1/2" (546) W 21 3/4" (553) D 28 1/4" (718)

Specifications
 Commercial microwave 10 touch pad control panel shall be programmable with the ability to program up to 100 menu items and shall have automatic cooking capability for up to eight portions. Cooking timer shall be 60 minute, countdown style with a time entry option and an adjustable end of cycle audible signal. LED display shall be a backlit. There shall be 11 power levels, 4 cooking stages and defrost mode at 20% power. Microwave output shall be 2200 watts distributed by two magnetrons each with a rotating antenna to provide superior even heating throughout the cavity. An automatic voltage sensor shall accommodate both 208 and 240 volts. Heavy duty door shall have a tempered glass window and a grab and pull handle with a 90°+ opening for easy access. An interior light shall facilitate monitoring without opening the door. The large 1.0 cubic ft. (28 liter) cavity shall accommodate two standard 4" (102 mm) deep half-sized pans. Interior ceramic shelf shall be sealed and recessed to reduce plate-to-shelf edge impact. Oven shall have a stainless steel interior and exterior and be stackable to save counter and shelf space. Oven shall have a removable, cleanable splatter shield. Air filter shall be easily accessible and removable from the front of the oven and have a "clean filter" reminder feature. A "call service alert" shall appear on display when service is needed. Microwave oven shall comply with standards set by the U.S Department of Health and Human Services, ETL for safety and sanitation.



Warranty
 Warranty Certificate for this product can be found on the ACP, Inc. website at:
www.acpsolutions.com/warranty



Service
 All products are backed by the ACP, Inc. 24/7 ComServ Support Center.



AIA File #:

Measurements in () are millimeters
 * IEC 60705 Tested
 ** Includes handle

Part No. 20154513
 Updated 6/16/16
 Original Instructions



© 2016 ACP, Inc.
 Cedar Rapids, Iowa 52404