



T&S BRASS AND BRONZE WORKS, INC.

2 Saddleback Cove / P.O. Box 1088
Travelers Rest, SC 29690



REG. #A2601
ISO #9001

Model No.

B-0133

Item No.

Travelers Rest, SC: 800-476-4103 Simi Valley, CA: 800-423-0150 Fax: 864-834-3518 www.tsbrass.com

This Space for Architect/Engineer Approval

Job Name _____ Date _____

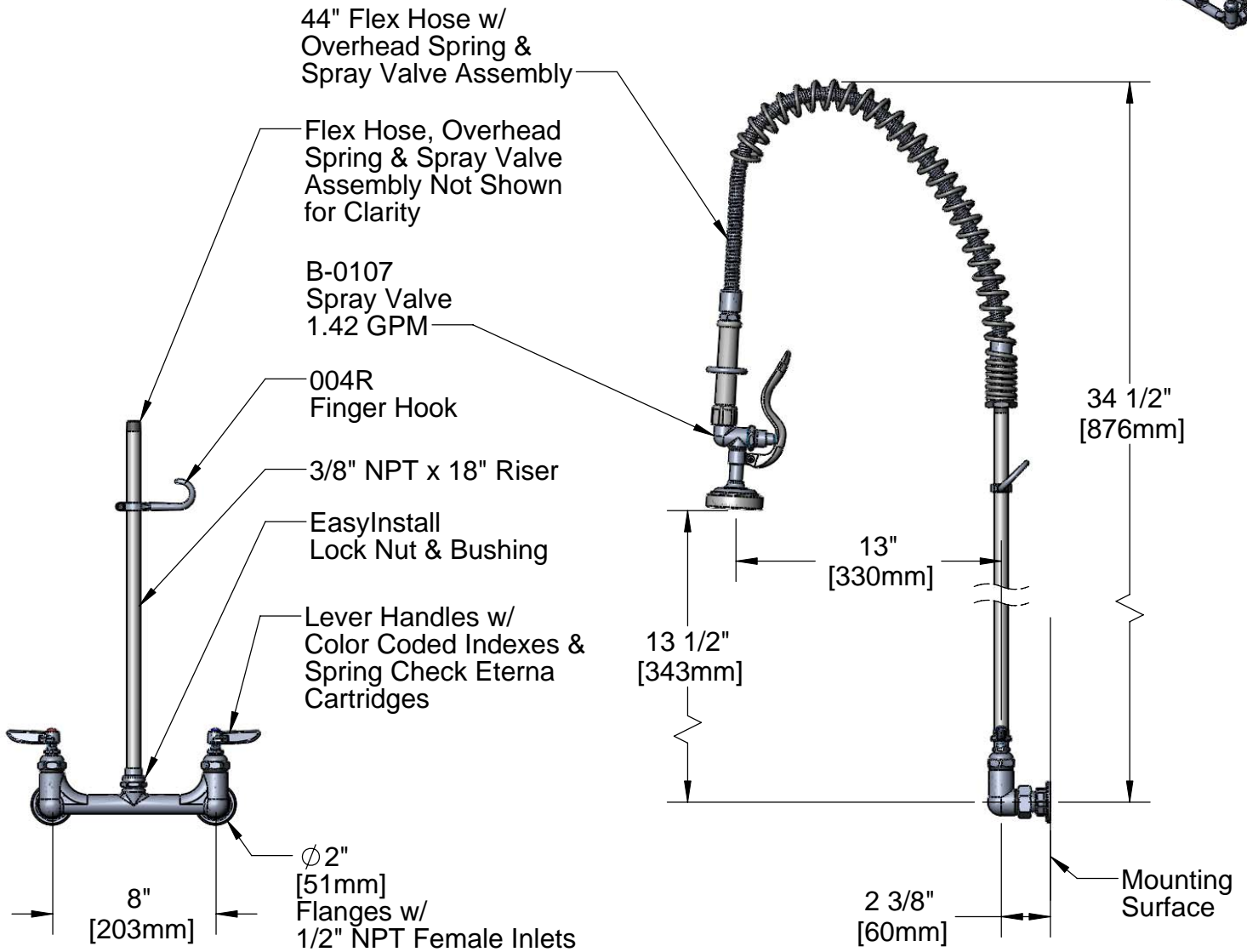
Model Specified _____ Quantity _____

Customer/Wholesaler _____

Contractor _____

Architect/Engineer _____

EPAct 2005 Compliant



Product Specifications:

EasyInstall Pre-Rinse Unit:
8" c/c Wall Mount Mixing Faucet, 1/2" NPT Female Inlets,
18" Riser, Overhead Spring, 44" Flex Hose & B-0107 Spray Valve

| | | |
|---------------|----------------|-------------------|
| Drawn KJG | Checked DHL | Approved JHB |
| Scale: 1:8 | | Date: 10/22/08 |



T&S BRASS AND BRONZE WORKS, INC.

2 Saddleback Cove / P.O. Box 1088
Travelers Rest, SC 29690



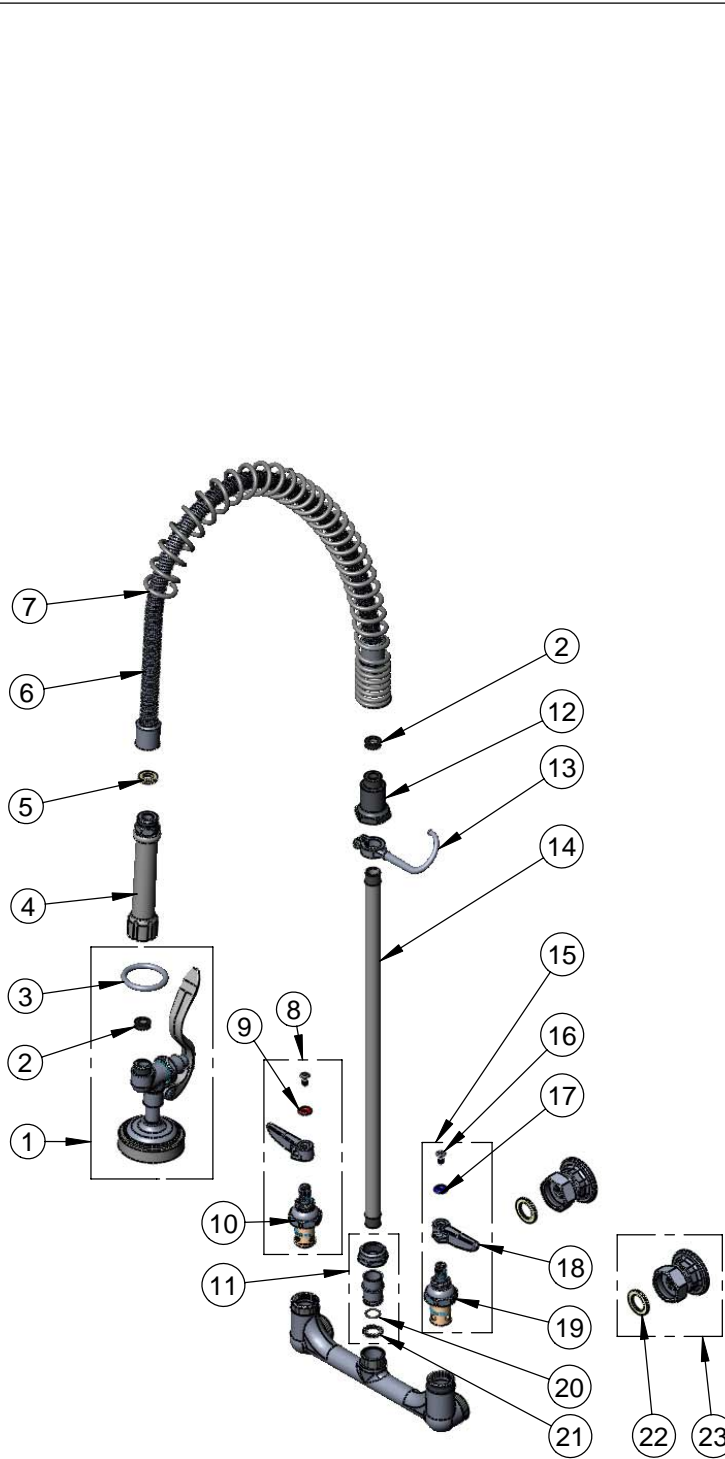
REG. #A2601
ISO #9001

Model No.

B-0133

Item No.

Travelers Rest, SC: 800-476-4103 Simi Valley, CA: 800-423-0150 Fax: 864-834-3518 www.tsbrass.com



| ITEM NO. | SALES NO. | DESCRIPTION |
|----------|------------|---|
| 1 | B-0107 | Spray Valve Asm |
| 2 | 010476-45 | #27 Washer |
| 3 | 000907-45 | Spray Valve Hold Down Ring |
| 4 | 002987-40 | Grip Handle Assembly |
| 5 | 001014-45 | Washer, B-0100 Hose Barrel |
| 6 | B-0044-H2A | 44" Flex Hose Assembly, Less Handle |
| 7 | 000888-45 | EasyInstall Overhead Spring |
| 8 | 002712-40 | Hot Eterna Spindle Assembly w/ Spring Check, Handle, Index & Screw |
| 9 | 001661-45 | Red Index-HW |
| 10 | 012443-40 | Hot Eterna Spindle Assembly w/ Spring Check |
| 11 | EZ-K | EasyInstall Kit: Bushing, O-Ring, Lock Washer & Loctite 222 |
| 12 | 000821-40 | Spring Body |
| 13 | 004R | Finger Hook Assembly |
| 14 | 000369-40 | 3/8" NPT x 18" Long Riser |
| 15 | 002711-40 | Cold Eterna Spindle Assembly w/ Spring Check, Handle, Index & Screw |
| 16 | 000922-45 | Lever Handle Screw |
| 17 | 001660-45 | Blue Index-CW |
| 18 | 001638-45 | Lever Handle |
| 19 | 012442-40 | Cold Eterna Spindle Assembly w/ Spring Check |
| 20 | 001065-45 | O-Ring |
| 21 | 014200-45 | Star Washer, Anti-Rotation |
| 22 | 001019-45 | Coupling Nut Washer |
| 23 | 00AA | Flange Assembly |

Product Specifications:

EasyInstall Pre-Rinse Unit:
8" c/c Wall Mount Mixing Faucet, 1/2" NPT Female Inlets,
18" Riser, Overhead Spring, 44" Flex Hose & B-0107 Spray Valve

| | | |
|----------------------|-----------------------|--------------------------|
| Drawn KJG | Checked DHL | Approved JHB |
| Scale: NTS | | Date: 10/22/08 |