

STAINLESS STEEL CONSTRUCTION



TLO-3SS

TLO-4SS

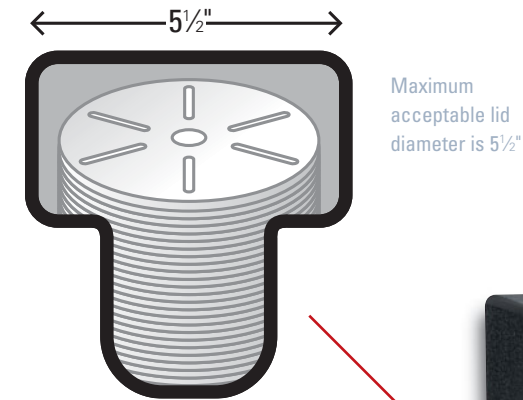
TLO SERIES COUNTERTOP LID & STRAW ORGANIZERS
Countertop lid and straw organizers feature quality stainless steel with reinforced welded construction. Units include angled lid compartments and a divided section for standard and jumbo length straws or condiments. Available with three or four lid sections these cabinets occupy only 6 1/2" x 14" of countertop space.

Model Number	Item Description	Dimensions H x W x D
TLO-3SS	3 Section Stainless Steel Organizer	24 1/2" x 6 1/2" x 14"
TLO-4SS	4 Section Stainless Steel Organizer	32 1/2" x 6 1/2" x 14"

BLACK POLYSTYRENE CONSTRUCTION

Model Number	Item Description	Dimensions H x W x D
TLO-2BT	2 Section Polystyrene Organizer	16 1/4" x 6 1/2" x 14"
TLO-3BT	3 Section Polystyrene Organizer	24 1/4" x 6 1/2" x 14"
TLO-4BT	4 Section Polystyrene Organizer	32 1/4" x 6 1/2" x 14"

TLO SERIES COUNTERTOP LID & STRAW ORGANIZERS
Countertop lid and straw organizers feature durable polystyrene construction. Units include angled lid compartments and a divided section for standard and jumbo length straw or condiments. Available with two, three or four lid sections these cabinets occupy only 6 1/2" x 14" of countertop space.



TLO-2BT

TLO-3BT

TLO-4BT