



Underbar Sinks

Item #	_____	Qty	_____
Model #	_____		
Project	_____		



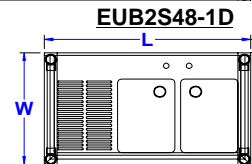
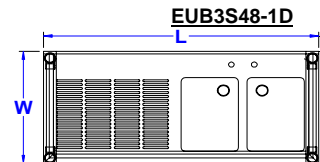
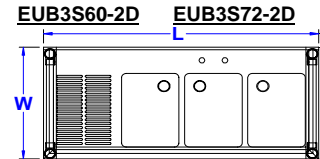
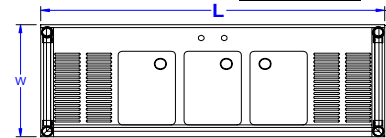
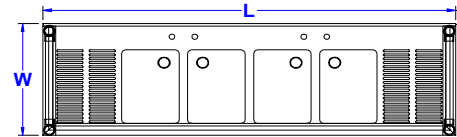
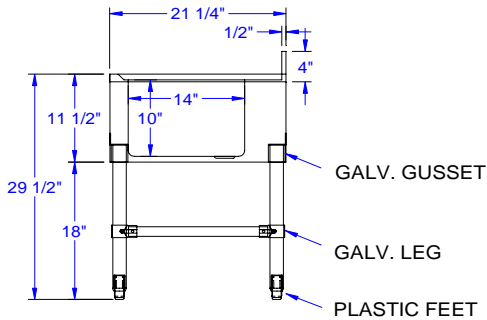
Shown with Faucet Model
PBF-4-D-10



BAR SINKS

MODEL #	Length	Width	BD	Height	Weight
EUB2S36-1RD	36"	21"	12"	32-1/2"	41
EUB2S36-1LD	36"	21"	12"	32-1/2"	41
EUB2S48-1RD	48"	21"	24"	32-1/2"	69
EUB2S48-1LD	48"	21"	24"	32-1/2"	69
EUB3S48-1RD	48"	21"	12"	32-1/2"	75
EUB3S48-1LD	48"	21"	12"	32-1/2"	75
EUB3S60-2D	60"	21"	12"	32-1/2"	92
EUB3S72-2D	72"	21"	18"	32-1/2"	102
EUB4S72-2D	72"	21"	12"	32-1/2"	104

** Weights are subject to additional packaging
RD = Right Drain board LD = Left Drain board



OPTIONAL ACCESSORIES

	MODEL #	Qty
S/S Legs		

FEATURES:

- Fabricated Bowls, 10" x 14" x 10"
- Stamped Ribbed Drain boards
- Raised Marine Edge on Front & Sides
- Galvanized Legs and bracing, with adjustable bullet feet

INCLUDES: Economy Faucet & Overflow Pipes

Faucet Model - **PBF-4-D-10**

Overflow Pipe Model - **PB-OVF-BS**

CONSTRUCTION:

Top: Stainless Steel Tops are TIG welded, Exposed welds are polished to match adjacent surface.

MATERIAL:

- Top: 18 Gauge type 300 stainless steel
- Bracing: Galvanized
- Legs: Galvanized
- Gussets: Galvanized
- Feet: Plastic

John Boos & Co

315 South First Street - Effingham, IL 62401

Phone: 217-347-7701 - Fax: 217-347-7705

Email: sales@johnboos.com - Web-site: www.johnboos.com