



# "E3S8" "E" Series Sinks

Three Compartment Sinks  
w/ Galvanized Base & Bracing



**STANDARD:** 18 ga. 300 S/S welded Bowls  
18 ga. 300 S/S sides and Splash  
10" Back Splash

12" DEEP	
18 Gauge	Qty
E3S8-1620-12	
E3S8-18-12	

**Bowl Sizes:**

16" X 20"  
18" X 18"

14" DEEP	
18 Gauge	Qty
E3S8-24-14	

**Bowl Sizes:**

24" X 24"

**FEATURES:**

- \* Standard 18 Gauge Type 300 stainless steel with # 3 polish, satin finish
- \* 12" & 14" Deep Bowls
- \* All Corners, both vertical and horizontal, covered at 3/4" radius
- \* Bottoms of bowls formed for drainage to 3-1/2" diameter die stamped opening
- \* Full length **10" High Boxed Backsplash**, with 2" return to wall at 45 degree and 1" tile edge
- \* 1" Faucet Holes in Backsplash
- \* All outside corners of assembly are Bullnosed to provide safe, clean and polished edge
- \* Standard galvanizes legs 1-5/8" diameter
- \* Legs located directly under sink bowls, providing increased stability and maximum weight support

**CONSTRUCTION:**

Top: Stainless Steel Sinks are TIG welded, Exposed welds are polished to match adjacent surface.

Bases: Galvanized Base

**MATERIAL:**

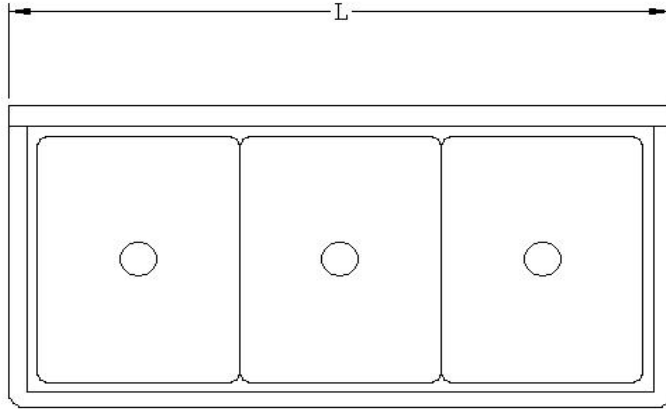
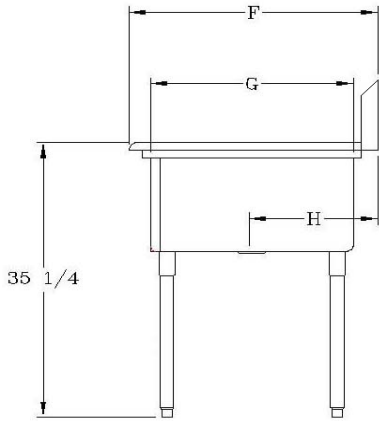
- Bowls & 18 gauge stainless Steel
- Top: Type 300 stainless steel with # 3 polish, satin finish
- Legs: 1 5/8" Round O.D., galvanized steel
- Gussets: Galvanized
- Feet: 1" adjustable plastic bullet feet

**John Boos & Co**

315 South First Street - Effingham, IL 62401  
Phone: 217-347-7701 - Fax: 217-347-7705  
Email: sales@johnboos.com - Web-site: www. johnboos.com

## DETAILED SPECIFICATIONS

BOWLS	F	G	H
16 X 20	25-1/2"	20"	12-15/16"
18 X 18	23-1/2"	18"	11-15/16"
24 X 24	29-1/2"	24"	14-15/16"

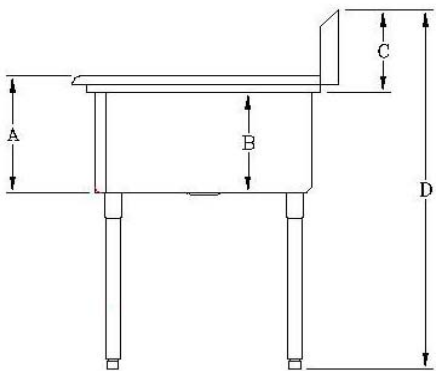


<b>A</b>	14-1/4"
<b>B</b>	12"
<b>C</b>	10"
<b>D</b>	43-3/4"

STANDARD 12" DEEP				
MODEL	BOWL SIZE	DIMENSIONS	DB	WT.
E3S8-1620-12	16 X 20 X 12	53" X 25-1/2"	-	144
E3S8-18-12	18 X 18 X 12	59" X 23-1/2"	-	144

<b>A</b>	16-1/4"
<b>B</b>	14"
<b>C</b>	10"
<b>D</b>	43-3/4"

STANDARD 14" DEEP				
MODEL	BOWL SIZE	DIMENSIONS	DB	WT.
E3S8-24-14	24 X 24 X 14	77" X 29-1/2"	-	222



All dimensions are typical.

Tolerance +/- .500".

All units ship unassembled for reduced shipping cost.

### John Boos & Co

315 South First - Effingham, IL 62401 Phone: 217-347-7701 - Fax: 217-347-7705

Email: sales@johnboos.com - Web-site: www.johnboos.com



January 2009

John Boos is constantly engaged in a program of improving products and therefore reserves the right to change specification without prior notice

NN-14