



# "EWS8" Stainless Steel Wall Shelves

w/ 1 1/2" Turned up Backsplash



TYPE 300 STAINLESS STEEL WALL SHELF			
12"WIDE	Qty	16"WIDE	Qty
EWS8-1224		EWS8-1624	
EWS8-1236		EWS8-1636	
EWS8-1248		EWS8-1648	
EWS8-1260		EWS8-1660	
*EWS8-1272		*EWS8-1672	
*EWS8-1296		*EWS8-1696	

**FEATURES:**

- \* Stainless Steel Shelf  
Type 300 stainless steel with # 3 polish, satin finish
- \* Finished with a **Safety** Stallion Front Edge
- \* 1 1/2" Turned up Backsplash
- \* 12" or 16" depth
- \* Shipped knocked-down, easy - to - assemble **Most Ship UPS**
- \* All models are approved by the National Sanitation Foundation

\* (ASTERISK) denotes 3 support brackets

**CONSTRUCTION:**

- \* Stainless Steel Shelves are TIG welded  
Exposed welds are polished to match adjacent surface

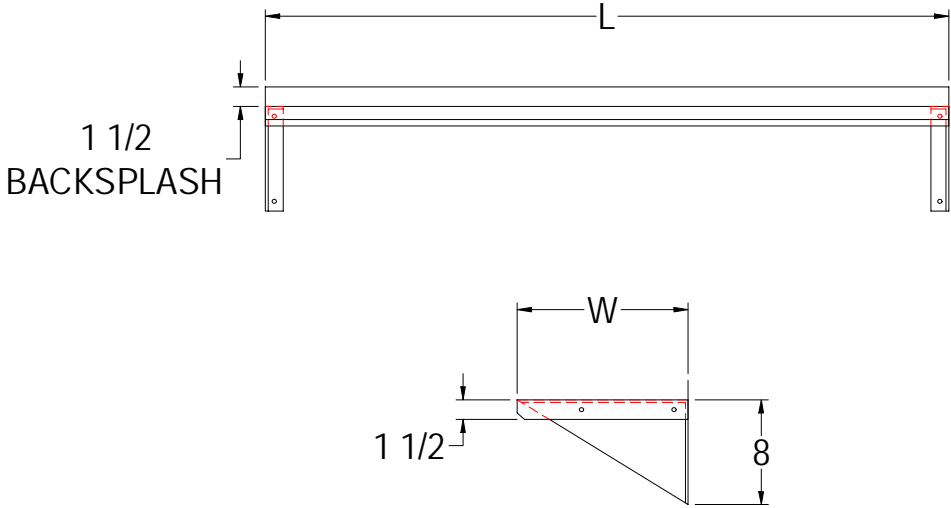
**MATERIAL:**

Shelf: 18 gauge type 300 stainless steel, # 3 polish, satin finish.  
 Brackets: 18 gauge type 300 stainless steel, # 3 polish, satin finish.

**John Boos & Co**

315 South First Street - Effingham, IL 62401  
 Phone: 217-347-7701 - Fax: 217-347-7705  
 Email: sales@johnboos.com - Web-site www. johnboos.com

**DETAILED SPECIFICATIONS**



All units ship unassembled for reduced shipping cost.  
 Units 6 ft. and larger are furnished with 3 support brackets  
 All dimensions are typical.  
 Tolerance +/- .500".

**STAINLESS STEEL WALL SHELVES**

L	12" WIDE	WT.	16" WIDE	WT.
24	EWS8-1224	8	EWS8-1624	10
36	EWS8-1236	12	EWS8-1636	14
48	EWS8-1248	16	EWS8-1648	18
60	EWS8-1260	21	EWS8-1660	24
72	EWS8-1272	25	EWS8-1672	30
96	*EWS8-1296	33	*EWS8-1696	38

**John Boos & Co**

315 South First - Effingham, IL 62401 Phone: 217-347-7701 - Fax: 217-347-7705  
 Email: sales@johnboos.com - Web-site: www.johnboos.com



January 2009

John Boos is constantly engaged in a program of improving products and therefore reserves the right to change specification without prior notice