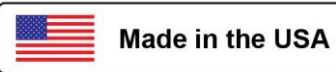




JOB:
ITEM:
QTY:



ECONOMY CAN RACK

APPLICATION:

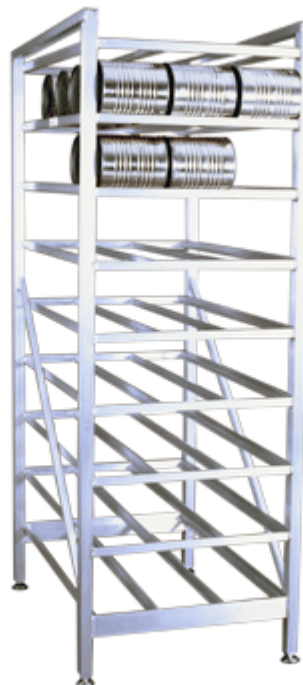
This can rack gives you automatic stock rotation when loaded from the rear. Inclined angle guides give you easy access to a large number of cans with one unit.

MATERIAL:

Framework is constructed out of 1 1/4" x 1 1/2" x .070" wall tubing. Can guides are constructed out of 3/4" x 1 9/16" x .100" wall thickness. This rack comes standard with adjustable feet.

GUARANTEE:

This rack carries a **Lifetime Guarantee** against rust and corrosion and also a **One-Year Guarantee** against workmanship and material defects.

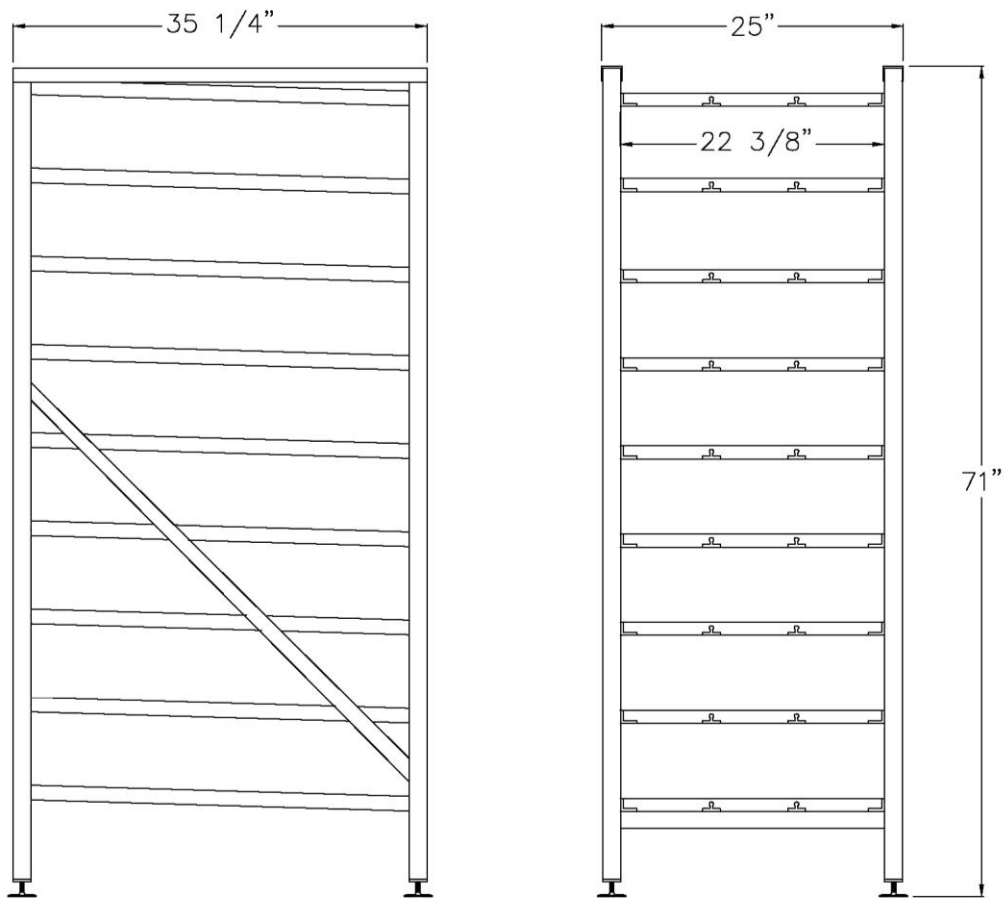


Model #6259



Phone: 800-255-0104
Fax: 877-877-7687
www.newageindustrial.com
sales@newageindustrial.com

New Age Industrial reserves the right to modify or make changes at any time without notice to materials and specifications.



Model #6259

Model No.	Size-W	Size-H	Size-D	Can Cap. #10	Can Cap. #5	Casters
6259	25"	71"	35 1/4"	162	216	No



Phone: 800-255-0104
 Fax: 877-877-7687
www.newageindustrial.com
sales@newageindustrial.com

New Age Industrial reserves the right to modify or make changes at any time without notice to materials and specifications.