



S E R V E R

SERVE BETTER™

PUMPS: STAINLESS STEEL FOUNTAIN JAR PUMPS

Models CP-200, FP-200V, FP-200, CP-F, FP-V, FP, FPV-DI & FP-DI

WHAT DO YOU DISPENSE?

- ◊ **THIN** • fountain syrups • liqueur • hot or soy sauce
- **THICK** • ketchup • mustard • mayo • bbq sauce
- **PARTICULATES** • tartar sauce • Thousand Island



CP-200 83300



FP 82070



FPV-DI 82520

BID DESCRIPTION

Server Products fountain jar pumps dispense from standard 7½" (19 cm) or 10" (25.4 cm) fountain jars. Each stainless steel pump is constructed with a cast valve body featuring captured balls to prevent loss. Portion size reduces in ⅛ ounce (3.7 mL) increments with supplied gauging collars. Pump knob can be colored and engraved to label contents; black is standard.

Models that dispense from a fountain jar, 7½" (19 cm) deep (82558) have a 1 oz (30 mL) stroke; 10" (25.4 cm) jar (82557) models dispense 1¼ oz (37 mL). See chart for details.

Slanted rail models (FPV-DI & FP-DI), utilize taller discharge tubes to drop into your fountainette with a 22° angle. Counter-top models (FP-200 & FP) also operate at a 22° angle.

STANDARD FEATURES

- Stainless steel construction
- Fit standard fountain jars, sold separately
- 1 oz (30 mL) or 1¼ oz (37 mL) maximum portion; adjustable in ⅛ oz (3.7 mL) increments
- Choose horizontal or slanted (operated at a 22° angle)
- Colored, engraved knob is available upon request

ACCESSORY ITEMS

- Fountain Jar, Plastic, 7½" (19 cm) 82558
- Fountain Jar, Plastic, 10" (25.4 cm) 82557
- Pump Lock (slides over lid & jar to hold together) 80443

TWO YEAR WARRANTY

Server Products equipment is backed by a two-year limited warranty against defects in materials and workmanship. For a copy of our complete warranty statement, please refer to server-products.com.

CAD LIBRARY

Individual CAD images can be downloaded free of charge from our website. Our complete collection of CAD files, along with more than 100 other manufacturers, can be purchased through Kochman Consultants, Ltd. at kclcad.com.



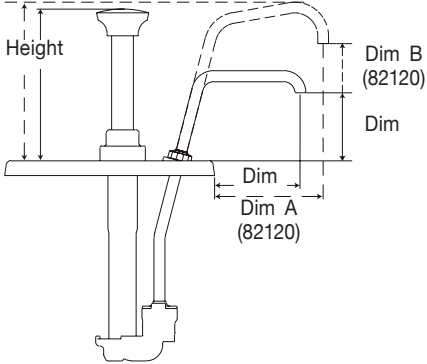
2 YEAR
WARRANTY

Ⓢ Slanted rail models, operate at a 22° angle, in your fountainette.

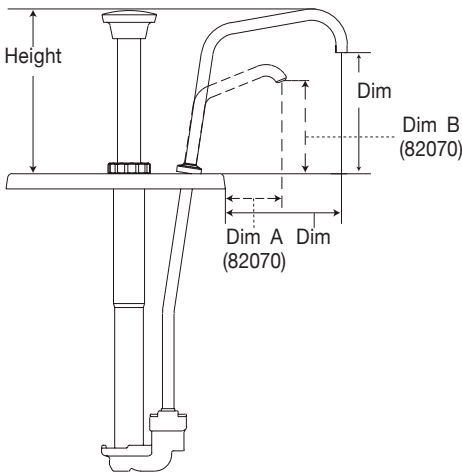
PUMPS: STAINLESS STEEL FOUNTAIN JAR PUMPS

Models CP-200, FP-200V, FP-200, CP-F, FP-V, FP, FPV-DI & FP-DI

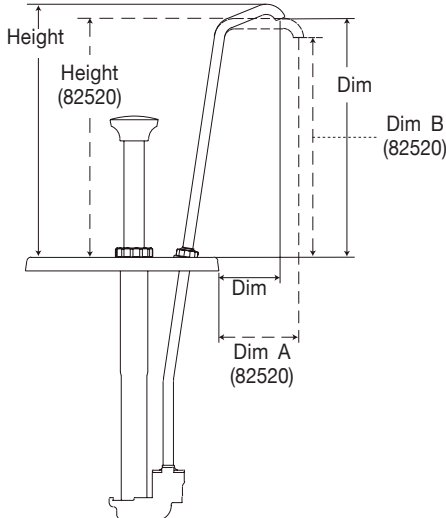
CP-200 83300, FP-200V 82130 & FP-200 82100; SLANTED RAIL®



CP-F 83330, FP-V 82120 & FP 82070; SLANTED RAIL®



FPV-DI 82520 & FP-DI 82990; SLANTED RAIL®



FOOD KEY				
MODEL	CP-200 83300	FP-200V 82130	CP-F 83330	FP-V 82120
Jar Used	Shallow 82558	Shallow 82558	Deep 82557	Deep 82557
Full Portion	1 oz 30 mL	1 oz 30 mL	1¼ oz 37 mL	1¼ oz 37 mL
Height	5 1/8" 13 cm	5 1/8" 13 cm	5 1/8" 13 cm	5 1/8" 13 cm
Dim. A	3 7/8" 9.8 cm	2 7/8" 7.3 cm	3 7/8" 9.8 cm	2 7/8" 7.3 cm
Dim. B	4 1/16" 10.3 cm	2 5/16" 5.9 cm	4 1/16" 10.3 cm	2 9/16" 6.5 cm
Weight	3 lb (1.4 kg)			
Cutout Size	4 5/16" x 7" (11 x 17.8 cm)			
Dimensions (above jar)	4 1/2" (11.4 cm) Wide x 7 1/8" (18.1 cm) Deep			
Capacity	Fountain jar, 10" (15.2 cm) deep holds 3½ qt (3.3 L); 7½" (19 cm) jar holds 2 qt (1.9 L).			

FOOD KEY				
MODEL	FP-200® 82100	FP® 82070	FP-DI® 82990	FPV-DI 82520
Jar Used	Shallow 82558	Deep 82557	Deep 82557	Deep 82557
Full Portion	1 oz 30 mL	1¼ oz 37 mL	1¼ oz 37 mL	1¼ oz 37 mL
Height	5 1/8" 13 cm	5 1/8" 13 cm	5 1/8" 13 cm	5 1/8" 13 cm
Dim. A	2 1/8" 5.4 cm	1 7/8" 4.8 cm	2 1/4" 5.7 cm	3" 7.6 cm
Dim. B	2 7/8" 7.3 cm	3" 7.6 cm	8 3/4" 22.2 cm	8 1/2" 21.6 cm
Weight	3 lb (1.4 kg)			
Cutout Size	4 5/16" x 7" (11 x 17.8 cm)			
Dimensions (above jar)	4 1/2" (11.4 cm) Wide x 7 1/8" (18.1 cm) Deep			
Capacity	Fountain jar, 10" (15.2 cm) deep holds 3½ qt (3.3 L); 7½" (19 cm) jar holds 2 qt (1.9 L).			

FOB RICHFIELD, WISCONSIN 53076