



FOOD WARMERS: FOOD SERVERS

1/3-PAN WARMER, INTELLISERV™

Model IS-1/3



IS-1/3 86090 INTELLISERV™, 1/3



ALSO AVAILABLE FOR EXPORT



INTELLISERV™ WITH ACCESSORY ITEMS

- A IS-1/3 86090 base unit shown with accessories, sold separately:
 (2) 90089 stainless steel pans, 1/6-size, 6" (150mm) deep
 (2) 90094 stainless steel lid, 1/6-size (not shown)
 (2) 87213 stainless steel ladles, 1 oz (30 mL)
- B IS-1/3 86090 base unit shown with accessories, sold separately:
 (2) 90089 1/6-size pans, 6" (150mm), stainless steel
 (2) 86312 stainless steel (FP) pumps, 1 oz (30 mL) stroke max
 (1) 86788 magnetic sign — Fudge
 (1) 86789 magnetic sign — Caramel

BID DESCRIPTION

The IntelliServ™ 1/3-size pan warmer is the perfect solution to warming sauces, soups or toppings using minimal counter space. The stainless steel warmer features a thermoset plastic water vessel with a cast aluminum heat plate at the bottom. A cool-touch rim protects users from heat zone. Electronic digital control with temperature display is easily set for Fahrenheit or Celsius. Holds (1) 1/3-size, (2) 1/6-size or (3) 1/9-size steam table pans up to 6" (150 mm) deep (sold separately).

STANDARD FEATURES

- Constructed of stainless steel shroud, thermoset plastic water vessel & cast aluminum heat plate
- The electronic digital temperature control provides instant feedback of heat setting and status and insures accurate holding of delicate sauces and toppings
- Temperature display is easily set for Fahrenheit or Celsius
- Configurable to hold fractional pans up to 1/3-size pan with 6 qt (5.7 L) capacity
- Cool-touch rim protects users from heat zone during pan change outs & in self-serve environments
- Passes NSF Rethermalization requirements

ACCESSORY ITEMS

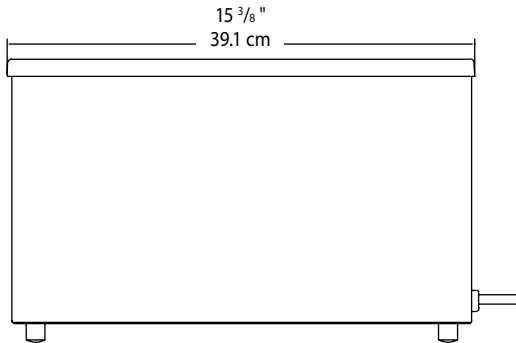
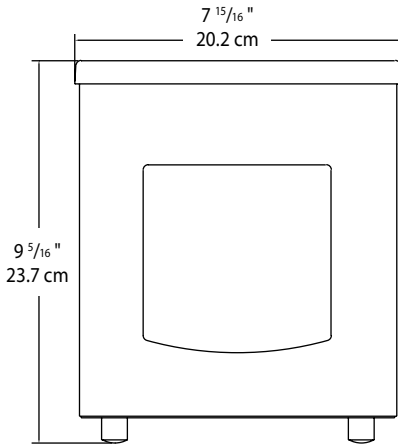
- 1/3-Size, 6" (150 mm) Deep Pan, 6 qt (5.7 L) 90083
- 1/6-Size, 6" (150 mm) Deep Pan, 2 3/4 qt (2.6 L) 90089
- 1/6-Size Pan Lid 90094
- Stainless Steel FP-1/6 Pump, 1 oz (30 mL) max 86312
- Stainless Steel Ladle, 1 oz (30 mL) 87213
- Magnetic Sign — Fudge 86788
- Magnetic Sign — Caramel 86789

FOOD WARMERS: FOOD SERVERS


1/3-PAN WARMER, INTELLISERV™

Model IS-1/3

INTELLISERV™



SPECIFICATIONS

Construction	Stainless steel with a brushed finish, thermostet plastic water vessel & cast aluminum heat plate		
Certifications	NSF, NSF Rethermalization, C UL US NSF listing for rethermalization ensures food is quickly heated to a safe temperature before bacteria has an opportunity to grow. 		
Capacity	(1) 1/3-size, (2) 1/6-size or (3) 1/9-size steam table pans up to 6" (150 mm) deep		
Dimensions	<u>Height</u>	<u>Width</u>	<u>Depth</u>
	9 ⁵ / ₁₆ " 23.7 cm	7 ¹⁵ / ₁₆ " 20.2 cm	15 ³ / ₈ " 39.1 cm
Electrical	120V, 500W, 15A		
Weight	Approximately 19 lb (8.6 kg)		

FOB RICHFIELD, WISCONSIN 53076

CAD LIBRARY

Individual CAD images can be downloaded from our website. We are also a member of The KCL CADalog with more than 100 other manufacturers. Our complete collection of CAD files can be purchased through Kochman Consultants, Ltd. at kclcad.com.

TWO YEAR WARRANTY

Server Products equipment is backed by a two-year limited warranty against defects in materials and workmanship. For a copy of our complete warranty statement, please refer to server-products.com.